



# Heritage timber



LANDSCAPE AND STREETScape DESIGNS



**Traffic Control Bollards** are fitted with Highways approved Class 1 Reflective bands or aluminium plates / discs.

**Parking Bay & Information Bollards** can be engraved and painted with numbers & symbols or have screen printed plates recessed into the side of the bollard.

**Bollards** which need to be included in an already paved area with depth restriction due to underground cable/mains services, can be supplied at a reduced length with an attached galvanised steel plate, which is then secured by rawbolts to the underlying concrete.

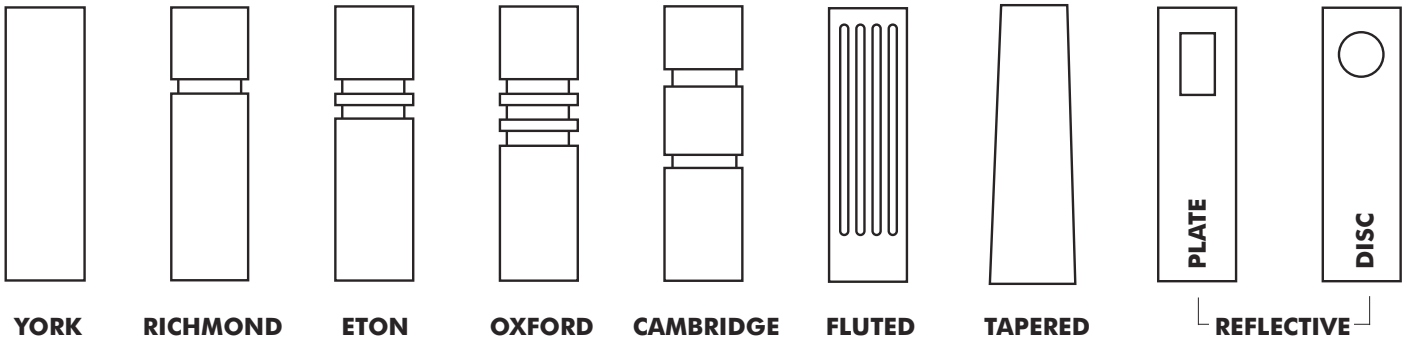
**Parking Control Bollards** can be removed or hinged, with a lockable fitting in galvanised or stainless steel.

**Ram-raid deterrent Bollards** in Hardwood are available in larger sections for shop front protection.

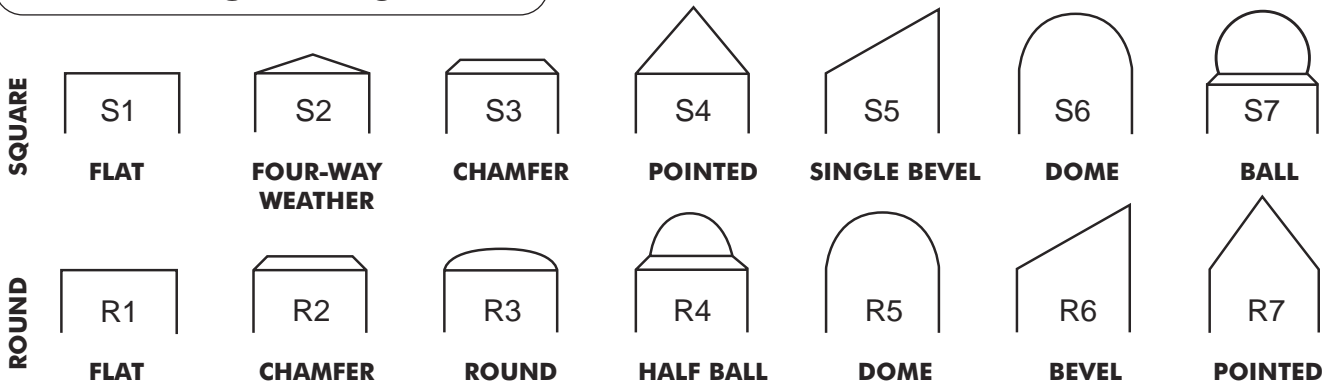


All Heritage Timber Bollard designs can be adapted for Post & Rail or Post & Chain systems.

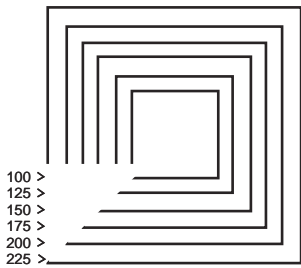
# BOLLARDS



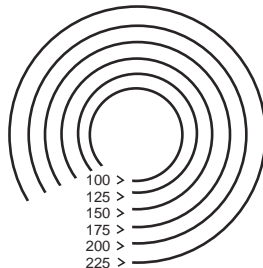
# PROFILES



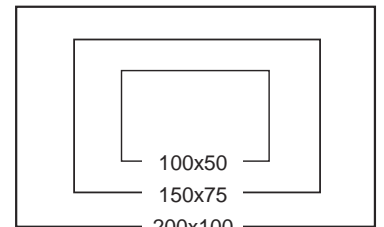
# SECTIONS



SQUARE



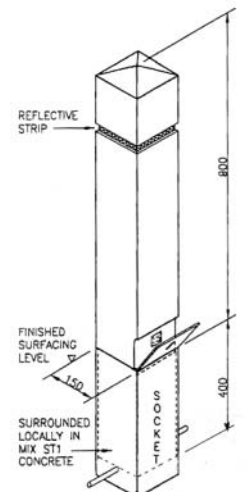
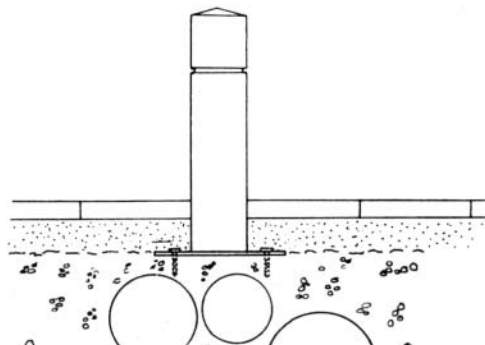
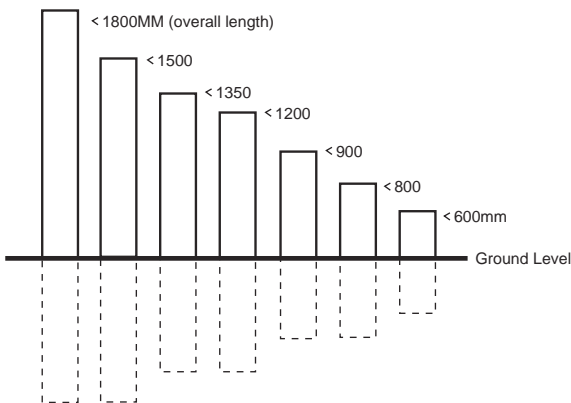
ROUND



RECTANGLE

Other sizes available on request

# LENGTHS







Hardwood seats are supplied fully assembled without the use of any metal fixings. All seating can accept a wide range of stain finishes.

The Balmoral seating range can be straight, curved, or mitred at an angle if needed.

Free standing seating can be supplied with L-shaped fixing brackets in galvanised or stainless steel.

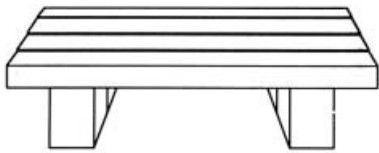
Seating for Infant and Junior Schools can be produced at reduced dimensions if specified.

Seating designs are still under constant development and our office will be pleased to receive your own ideas, and transform them into reality.

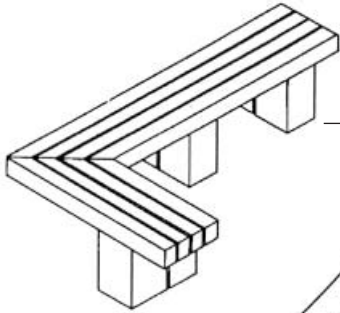


Quality products and unparalleled commitment are what is expected from Heritage Timber.

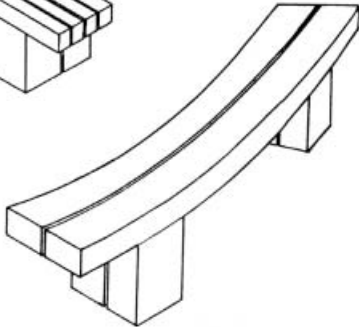
# SEATING



**Balmoral**.....1500mm long  
 .....1800mm long  
 .....2000mm long  
 .....2500mm long

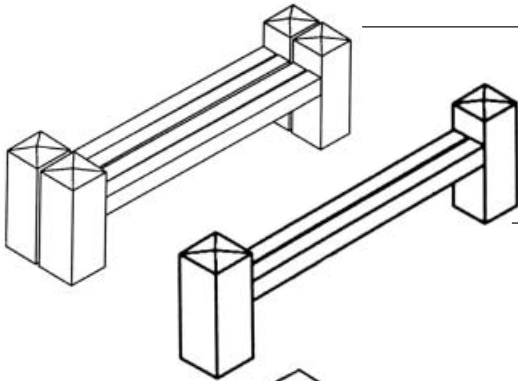


**L-Shaped**.....Sizes to suit

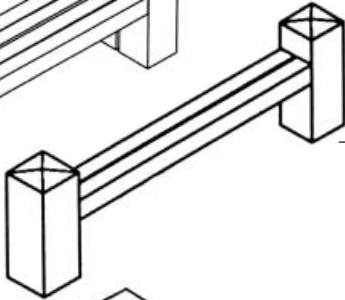


**Curved**.....1800mm long  
 .....2000mm long

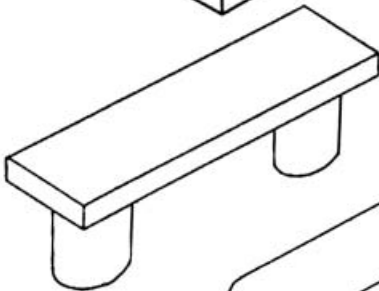
*Radii: 3m, 3.5m, 4.0m, 4.5m, 5.0m,  
 5.5m, Others available on request.*



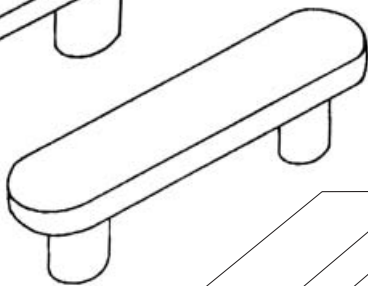
**Windsor**.....1800mm long  
 .....2000mm long



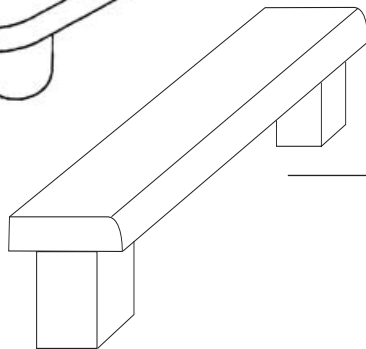
**Buckingham**.....1500mm long  
 .....1800mm long



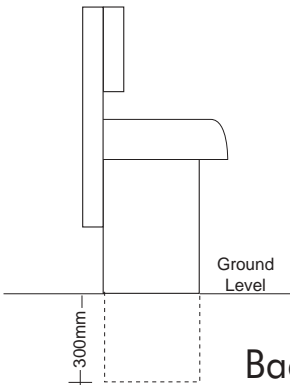
**Tudor**.....1500mm long  
 .....1800mm long



**Saxon**.....1500mm long  
 .....1800mm long



**Berkley**.....1500mm long  
 .....1800mm long  
 .....2000mm long  
 .....2500mm long



Back-rest available for seating.





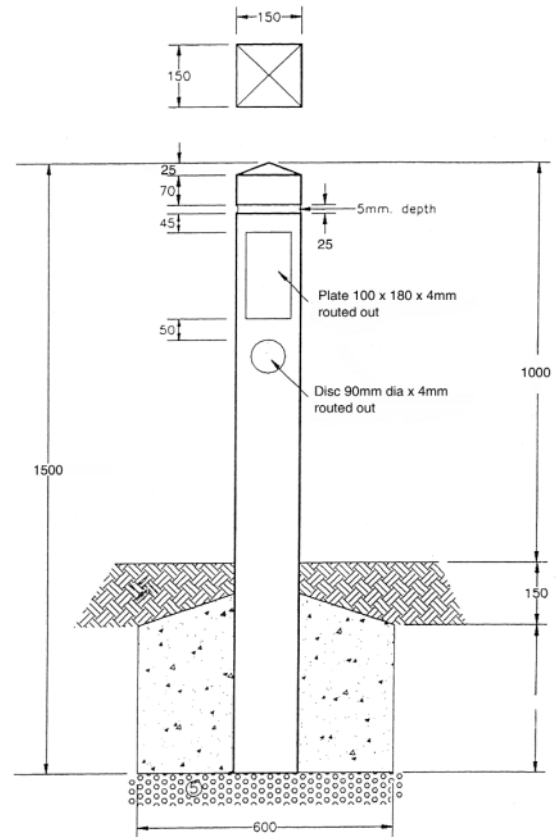
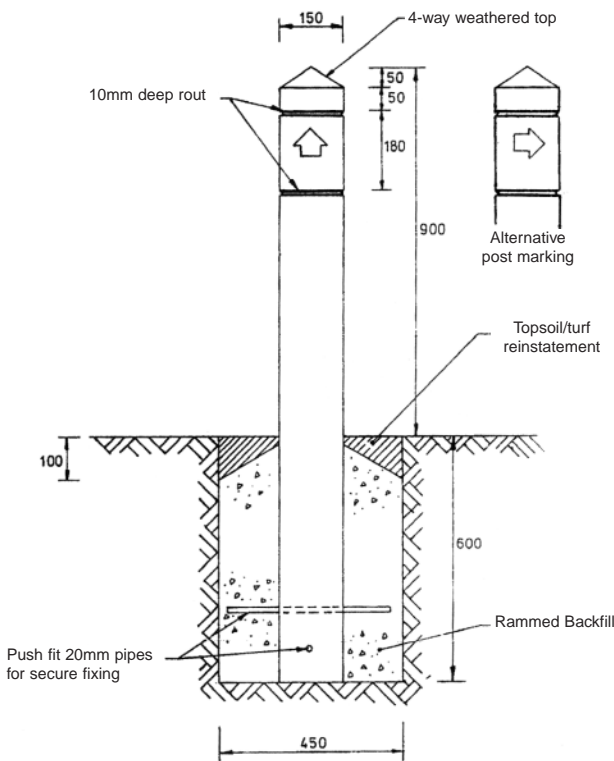
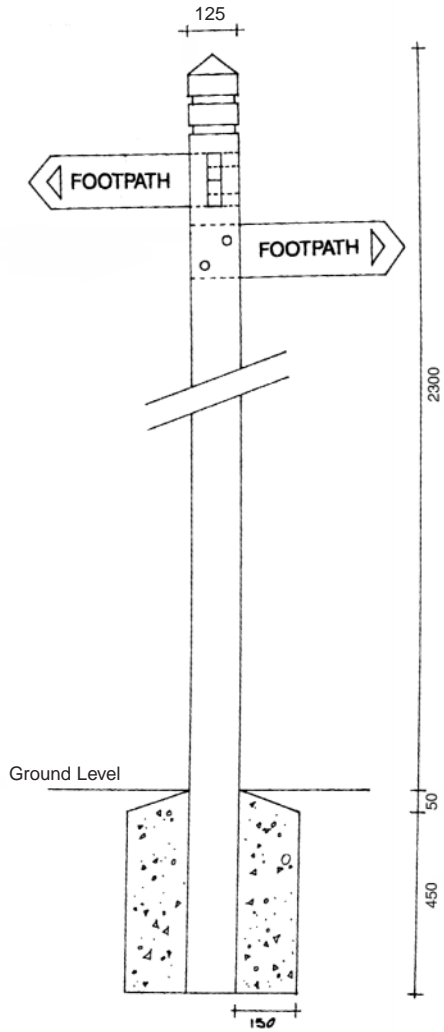
- Information Bollards**
- Waymarker Bollards**
- Bridleway Markers**
- Public Footpath Finger Posts**
- Golf Course Signage**
- Theme Signage**

Painting and finishing to BS standards.



Heritage Timber will be pleased to discuss your specific requirements

# SIGNAGE







**Planter Boxes** are supplied in component form without the need for metal fittings enabling easy assembly on-site. Ideally laid on an open permeable site, they may if required be placed directly onto concrete paving, provided a polythene liner is used to avoid soil spillage.

Co-ordinated range of Litter Bins incorporating galvanised mesh steel liners.

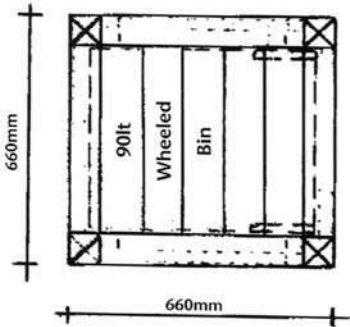
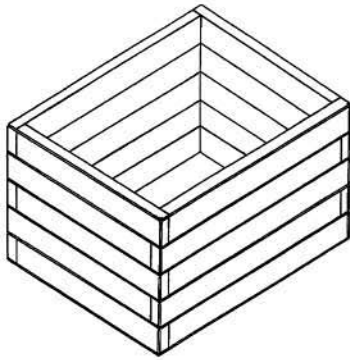
All Heritage Timber components will accept a wide range of stain finishes which can be specified before delivery or on-site after assembly.



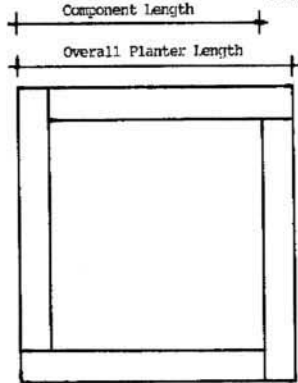
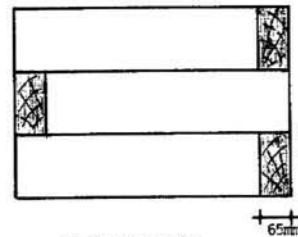
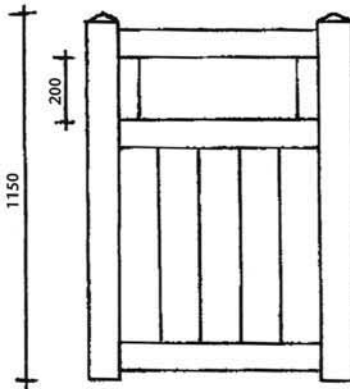
Heritage Timber will be pleased to discuss your specific requirements.



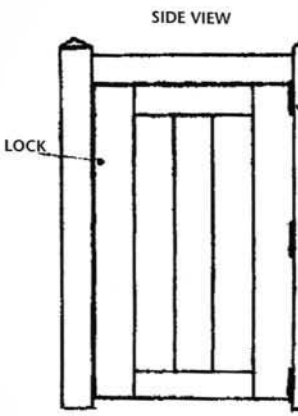
# PLANTERS & LITTER BINS



FRONT VIEW



PLAN VIEW



SIDE VIEW

